

DX4 Series Micro USB Connector

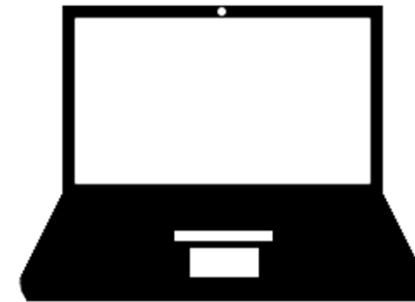
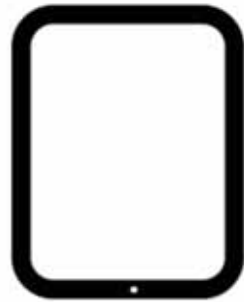
Training Module

Technology to Inspire Innovation




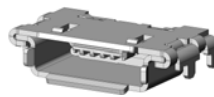
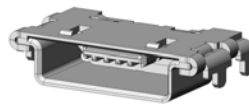


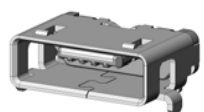



Application Examples

- Tablets
- Laptops
- Other devices with Micro USB



DX4 Series Line-up

Part Number	DX4R005JJ2	DX4R005JJ6	DX4R005JJ7	DX4R205JJ8	DX4R205JJ9
Overall view					
Micro-USB Connector	Type B	Type B	Type B	Type AB	Type AB
Mounting Type	On-board Standard	Mid-mount Standard	Mid-mount Standard	Mid-mount Standard	Mid-mount Standard
Mating Taper	Yes	Yes	No	Yes	No
Mating Area	Standard Type	Standard Type	Standard Type	Guard Plate	Guard Plate

Part Number	DX4R205JJA	DX4R305JJB	DX4R105JJC	DX4R005HJ5
Overall view				
Micro-USB Connector	Type AB	Type AB	Type B	Type B
Mounting Type	On-board Standard	On-board Reverse	On-board Reverse	On-board Standard
Mating Taper	No	No	Yes	No
Mating Area	Guard Plate	Guard Plate	Guard Plate	Standard Type

Key Features

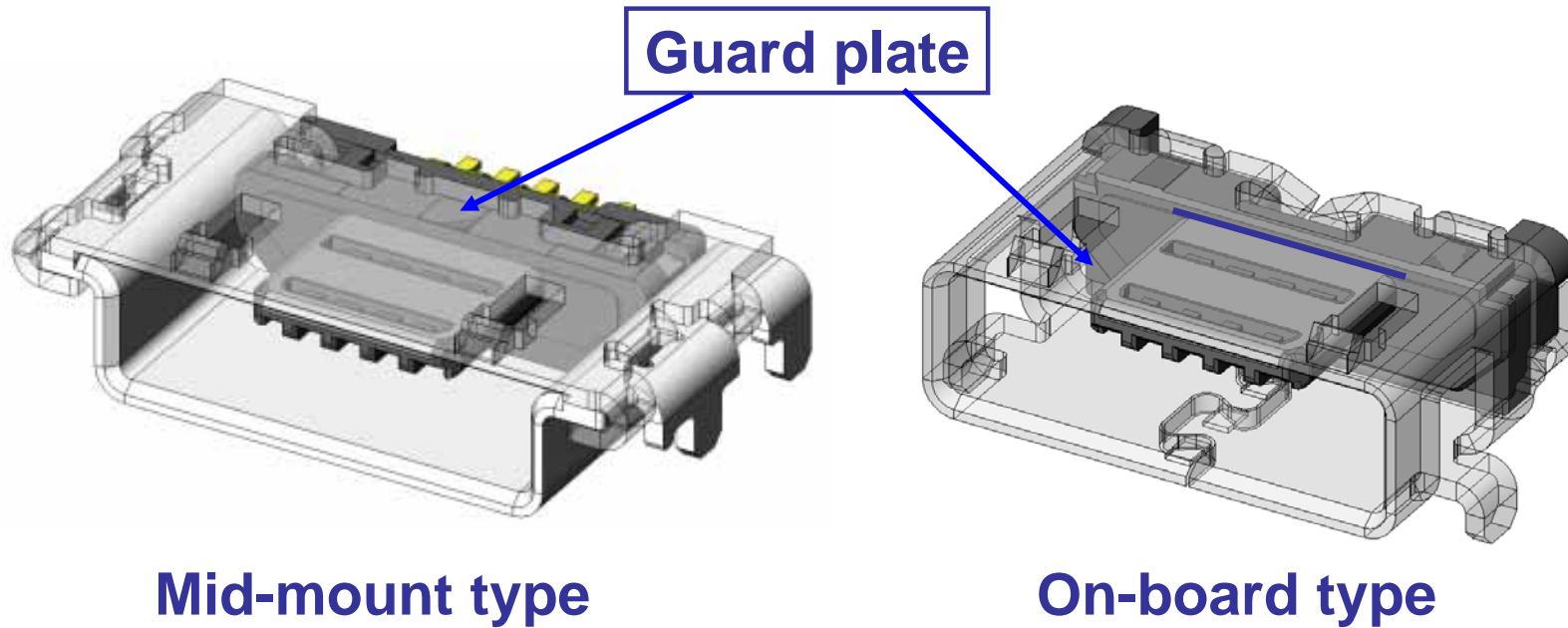
Slim and Compact

- Compatible with the Micro-USB 2.0 standard for small devices standardized by the USB Implementers Forum, Inc.
- Gold (Au) over Palladium Nickel alloy (Pd Ni) over Nickel plating promotes mating cycle durability and long product life.
- Superior rigidity with high-strength stainless steel shell.
- Available in a variety of versions to suit various device configurations.
- Two-shell structure to prevent contact failure due to flux scattering during the reflow process.
- Select versions have guard plates designed in the mating area to prevent damage from misaligned mating.
- RoHS compliant.

DX4 Series Feature

Guard Plate

JAE offers connectors with guard plates which are incorporated in the mating area to prevent damage from misaligned mating.



DX4 Series Mid-Mount Type Feature

Two-Shell Structure

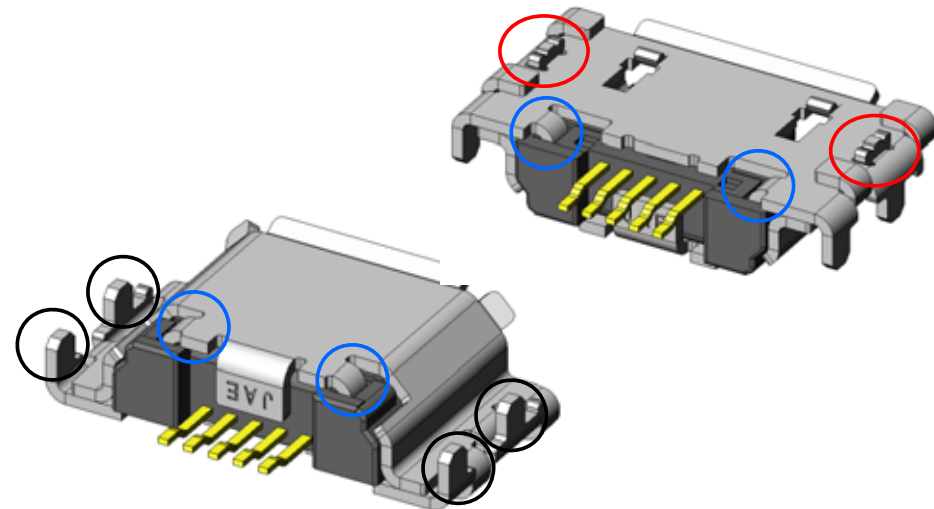
Benefits of the two-shell structure include:

- Preventing the shell from opening when twisted
- Enhanced reliability due to minimal open areas
- Enhanced durability against over insertion of plug

Press-fit area: 4 points

Bending swage: 4 points

Punched swage: 2 points



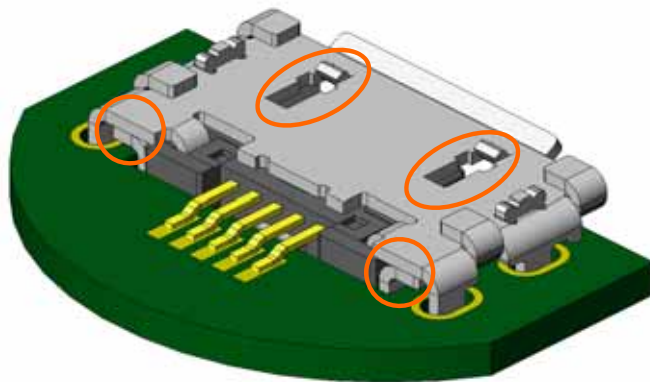
DX4 Series Mid-Mount Type Feature

Prevents flux scattering

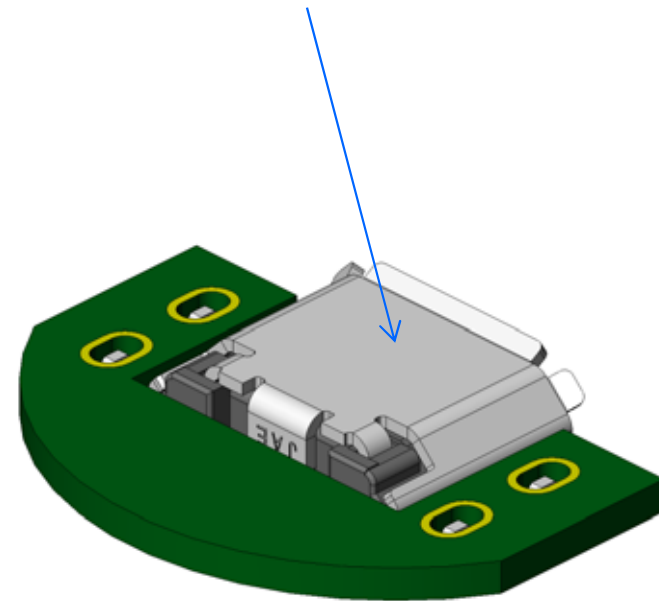
JAE's two-shell structure on the DX4 mid-mount type connector prevents flux from entering into the connector mating area.

Openings on mounting side of shell:

- Friction lock area
- Attachment point of two shells

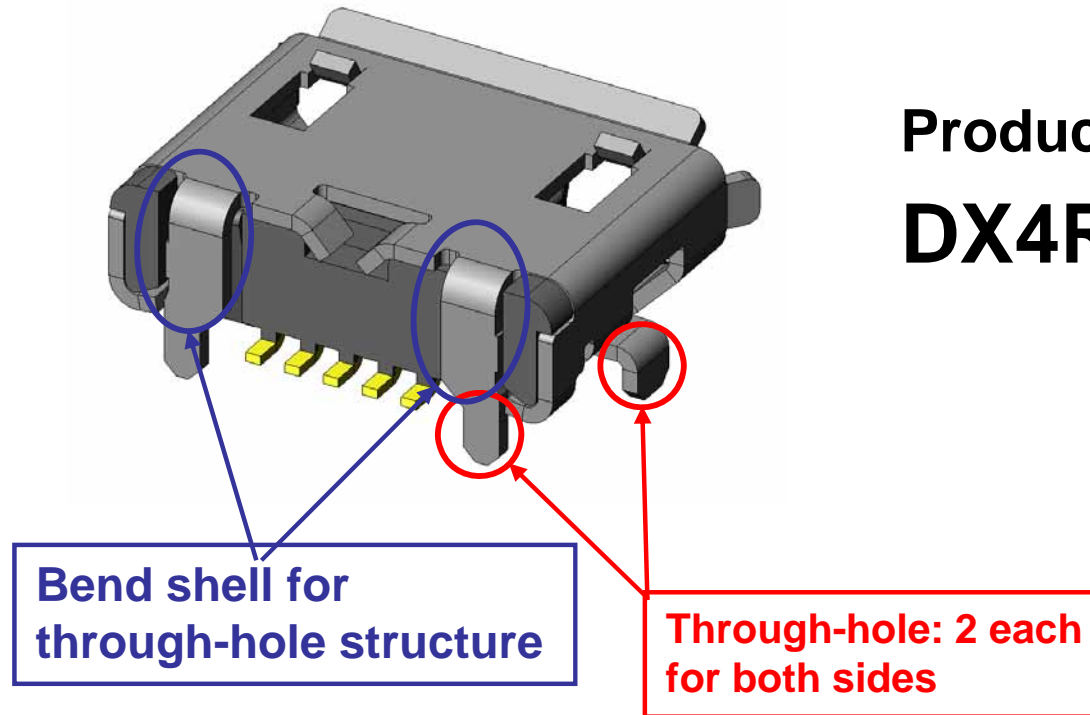


No open areas on bottom side of the shell.



DX4 Series On-board Type Feature

Secure Through-Hole Structure

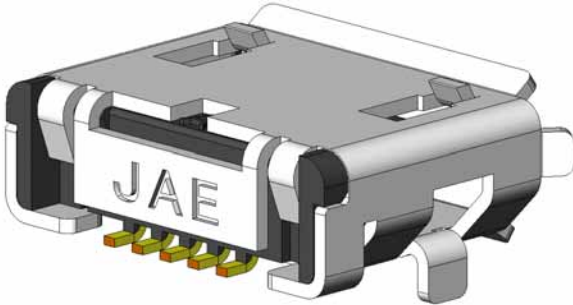
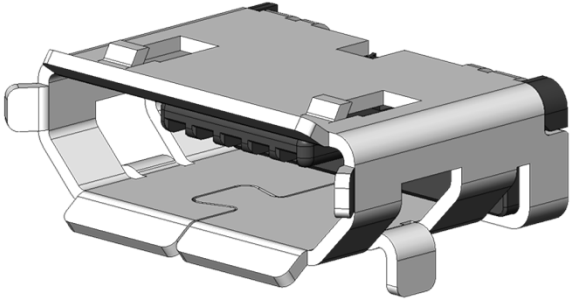


Product Example
DX4R005JJ2

The on-board through-hole type is durable against impact when plug is inserted.

General Specifications

No. of Contacts	5 positions
Contact resistance	30m Ω max (initial)
Insulation Resistance	1000m Ω max (initial)
Dielectric Withstanding Voltage	AC 500 Vr.m.s (for 1 minute)
Operating Temperature Range	-30 to +80 ° C
Rated Current	1.8 A (Vbus, GND) Others DC 0.5A
Rated Voltage	AC 30 Vr.m.s
Mating Durability	10,000 cycles



Material and Finishes

Component	Material and Finish
Insulator	Synthetic Resin
Contact	Copper Alloy/ Contact area: Au over Pd Ni alloy plating Terminal area: Au flash plating over Ni
Shell	Stainless Steel / Sn plating over Ni



Summary

- The DX4 Series line-up includes a variety of versions to suit difference device configurations.
- The DX4 series Micro USB connector is the narrowest connector, with a width of 1.95 mm.
- Guard plates are incorporated into the mating area to prevent damage.
- The DX4 Series' high-strength stainless steel shell is resistant to twisting.



Technology to Inspire Innovation

JAE