



ES3 Series (WF1 type) Card Edge Connector for LED Lighting

TRAINING MODULE

Technology to Inspire Innovation

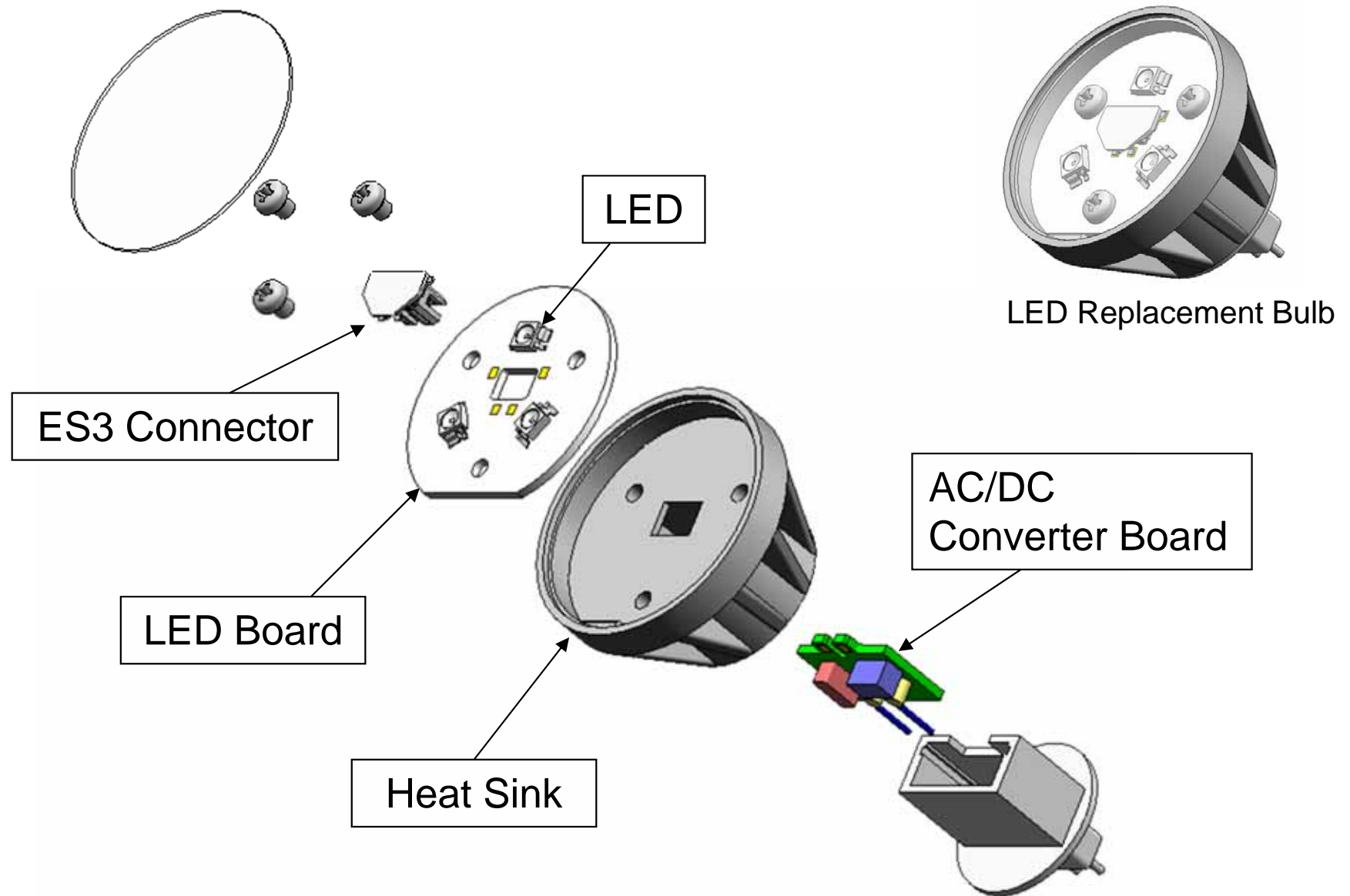
JAE

Overview

The ES3 series (ES3B002WF1) is a one piece card edge connector which allows direct connection of the LED mounting board and converter board in LED lighting devices. The unique design eliminates the need for hand soldering of wires, while limiting the number of additional connector components required. The low profile design and SMT contacts makes this connector easy to incorporate in various lighting devices such as replacement bulbs and outdoor lighting fixtures.



ES3 Application Example



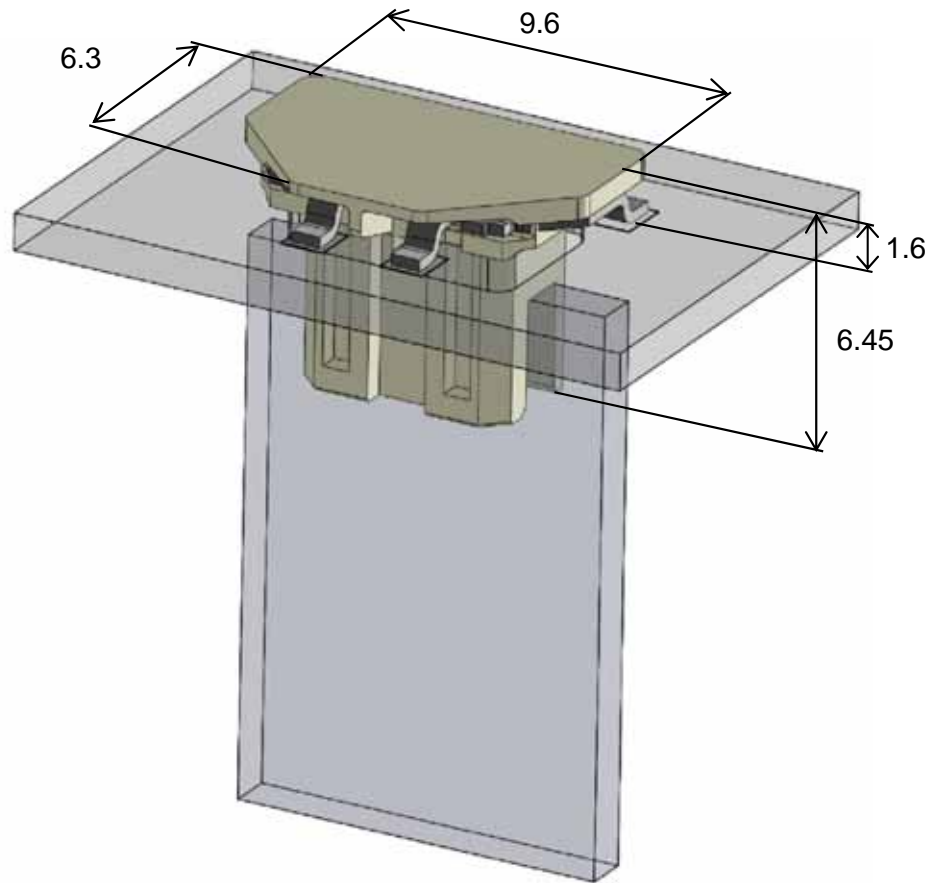
General Specifications

Number of contacts	2
Rated current	1A
Rated voltage	200V AC/DC
Dielectric Withstand Voltage	500VACrms
Operating temperature	-40 degC to +105 degC
Mounting height	1.6mm above LED board
Mating durability	20 cycles
Insulation material	White LCP
Contacts	Copper alloy / Tin plating

Key Features

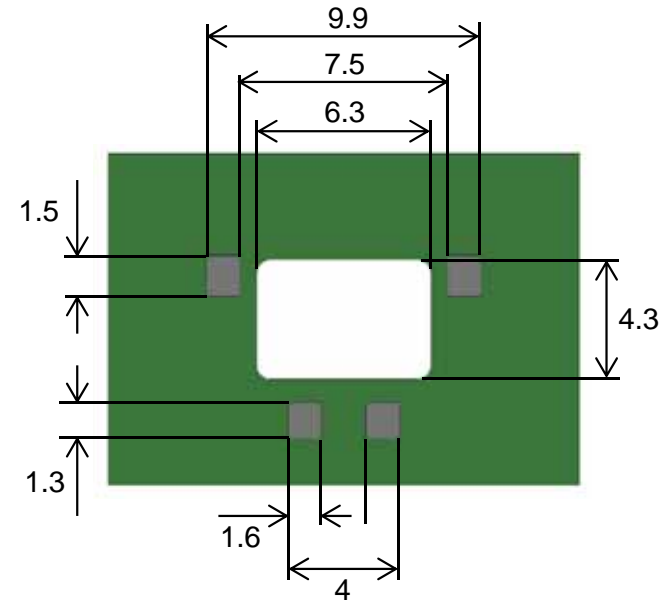
- Eliminates the need to hand solder wires to connect the LED board and converter board
 - One piece connector design reduces the number of components required compared to a traditional board to cable connector pair
 - Reflow compatible to allow connector to be mounted in same reflow process as LEDs
 - The low profile connector design ensures that it will not block any light from the LED's mounted in close proximity
 - White LCP is used for the insulator to help reflect light/heat
 - SMT contacts are mostly hidden under the insulator
 - UL/cUL certified
-

Basic Dimensions

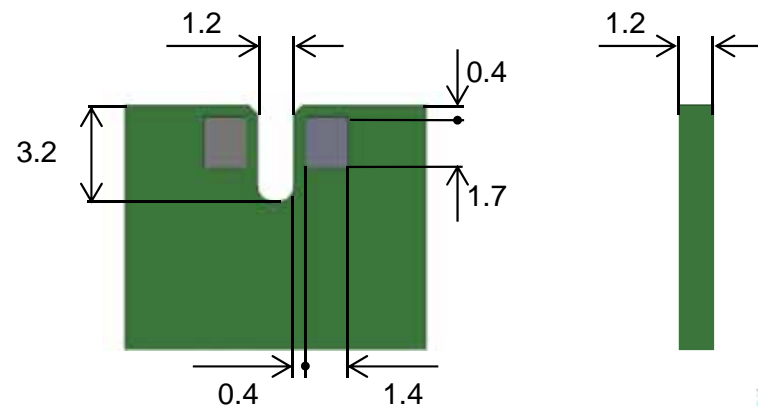


*All units in mm

PCB layout for LED board



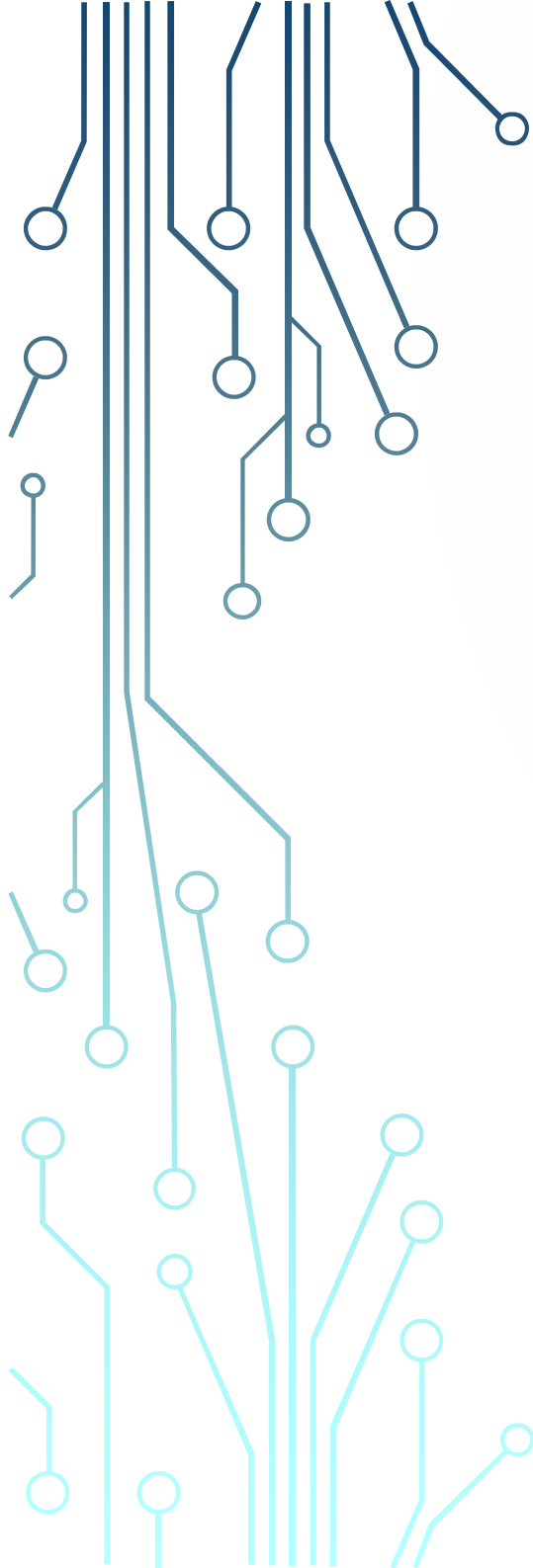
Card edge design for converter board



Summary

The JAE ES3B002WF1

- One-piece card edge connector
- Allows direct connection of the LED mounting board and converter board in lighting devices
- Eliminates the need for hand soldering of wires
- Limits the number of additional connector components required
- Low profile design, SMT contacts
- Easy to incorporate in lighting devices
 - Replacement bulbs
 - Outdoor lighting fixtures



Technology to Inspire Innovation

JAE