

JA-35 Series

ACCELEROMETER



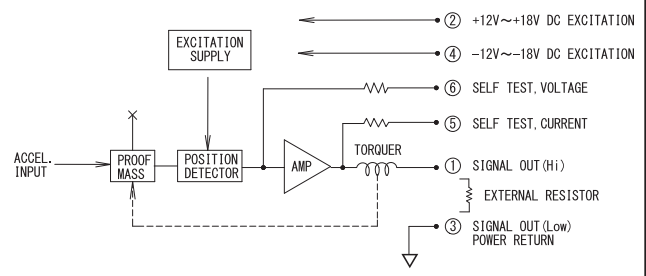
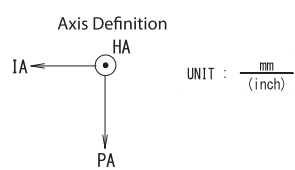
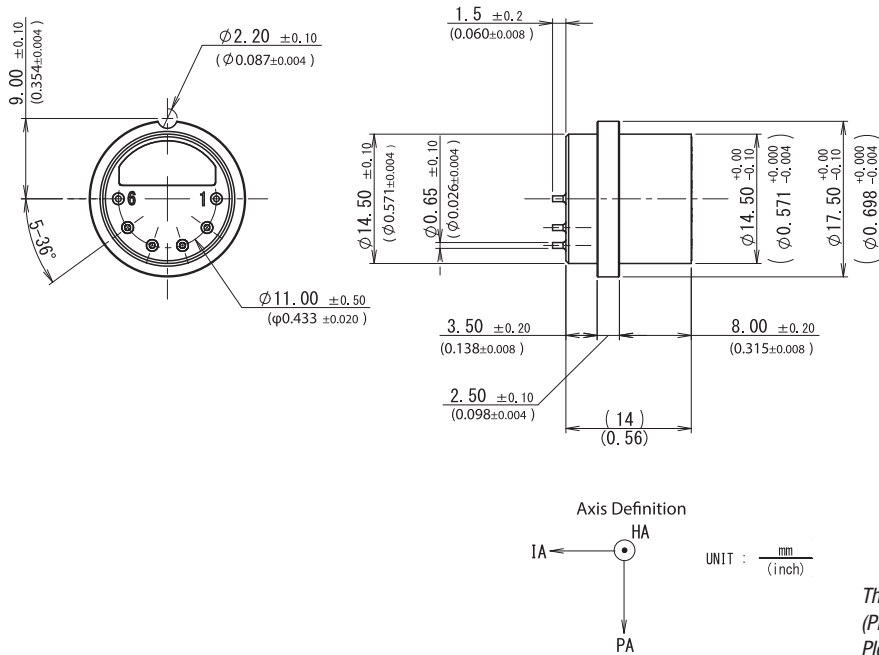
TECHNICAL DATA

Model Number	JA-35H165	JA-35H185	
Flange Type	(Round)	(Round)	
Environmental			
Temp. Operating	-40 to +165°C	-40 to +185°C	
Vibration, sine	30 G 0 - peak, 30 - 2,000 Hz		
Vibration, Random	15 - 500 Hz, 20 Grms		
Shock Operating (0.5 msec, Half Sine)	1,000 G (-40 to +165°C)	1,000 G (-40 to +185°C)	
Shock Survival (0.5 msec, Half Sine)	1,500 G (-40 to +165°C)	1,500 G (-40 to +185°C)	
Electrical			
Input Voltage	±12 to ±18 V _{DC}		
Input Current (quiescent)	5.5 mA max.		
Insulation Resistance (Power return to Case)	50 MΩ min. @50 V _{DC}		
Mechanical			
Dimensions	See Back		
Weight	15 grams max.		
Performance			
Scale Factor	Nominal (@25°C)	2.9 mA/G ±5%	
	Temp. Coefficient (-40 to +100°C)	±180 ppm/°C max.	
	Temp. Coefficient (High Temp)	±300 ppm/°C max. (100 to 165°C)	±300 ppm/°C max. (100 to 185°C)
Bias	Nominal (@25°C)	±15 mG max.	
	Temp. Coefficient	±100 µG/°C max.	
Axis Alignment	Nominal (@25°C)	±5.0 mrad max.	
	Temp. Coefficient	±5 µrad/°C max.	
Noise, 0 to 500 Hz		1.4 mG rms max.	
Noise, 500 to 10 kHz		4.8mG rms max.	
Measurement Range		±4 G min.	
Resolution		1 µG	
Linearity		±0.01% Full Scale max.	
Frequency Response		200 Hz min.	
Long Term Stability (1 year)		2,000 µG max.	



Specifications may change without notice.
∴ 1G = 9.80665 m/s²

DIMENSIONS



PIN ASSIGNMENT

*This product is designed and manufactured for downhole applications.
 (Please refer to 7A001/7A101 under Category 7 on the Commerce Control List.)
 Please do not use for other purposes.*

OUR LOCATIONS

HEADQUARTERS

Japan Aviation Electronics Industry, Ltd.
 Aerospace Sales Division
 3-1-19 Aobadai, Meguro-ku
 Tokyo, 153-8539
 Japan

+81-3-3780-2910 Phone
 +81-3-3780-2709 Fax

U.S. HEAD OFFICE

JAE Electronics, Inc.
 142 Technology Drive, Suite 100
 Irvine, CA 92618-2430
 U.S.A.

+1-949-753-2600 Phone
 +1-949-753-4706 Fax
 +1-800-523-7278 Toll Free
 Support.Aerospace@jae.com

HOUSTON OFFICE

JAE Electronics, Inc.
 10777 Westheimer Road
 Suite 1100
 Houston, TX 77042
 U.S.A.

+1-713-267-9314 Phone
 +1-713-260-9602 Fax

U.K. OFFICE

JAE Europe, Ltd.
 200 Fowler Avenue
 Farnborough Business Park
 Farnborough, Hampshire GU14 7JP
 United Kingdom

+44(0)1252 551100 Phone
 +44(0)1252 551110 Fax



Technology to Inspire Innovation

For more information visit us at: www.jae.com