

# JA-5 Series ACCELEROMETER



## TECHNICAL DATA

Model Number	JA-5M36	JA-5H175	JA-5H200
Flange Type	JA-5M36 (Square)	JA-5H175-1 (Square)	JA-5H200 (Square)
	JA-5M36-1 (Round)	JA-5H175-2 (Round)	JA-5H200-1 (Round)
<b>Environmental</b>			
Temp. Operating	-40 to + 150°C	-40 to + 175°C	-40 to + 200°C
Vibration, sine	30 G 0 - peak, 30 - 500 Hz		
Vibration, Random	15 - 500 Hz, 20 Grms		
Shock Operating (0.5 msec, Half Sine)	1,000 G (-40 to +70°C)		
	400 G (+70 to +150°C)	400 G (+70 to +175°C)	400 G (+70 to +200°C)
Shock Survival (0.5 msec, Half Sine)	1,000 G (-40 to +70°C)		
	1,500 G		
<b>Electrical</b>			
Input Voltage	±12 to ±18 V <sub>DC</sub>		
Input Current (quiescent)	5.5 mA max.		
Insulation Resistance (Power return to Case)	50 MΩ min. @50 V <sub>DC</sub>		
<b>Mechanical</b>			
Dimensions	See Back		
Weight	50 grams max.		
<b>Performance</b>			
Scale Factor	Nominal (@25°C)	3.0 mA/G ±5%	
	Temp. Coefficient (-40 to +100°C)	±180 ppm/°C max.	
	Temp. Coefficient (High Temp)	±280 ppm/°C max. (100 to 150°C)	±280 ppm/°C max. (100 to 175°C)
Bias	Nominal (@25°C)	±10 mG max.	±15 mG max.
	Temp. Coefficient	±100 µG/°C max.	±150 µG/°C max.
Axis Alignment	Nominal (@25°C)	±2.0 mrad max.	±3.0 mrad max.
	Temp. Coefficient	±5 µrad/°C max.	±7 µrad/°C max.
Noise, 0 to 500 Hz	4 µA rms max.		
Noise, 500 to 10 kHz	14 µA rms max.		
Measurement Range	±4 G min.		
Resolution	1 µG		
Linearity	±0.01% Full Scale max.		
Frequency Response	500 Hz min.		
Long Term Stability (1 year)	1,800 µG max.		

\*\*\*Specifications may change without notice.\*\*\*

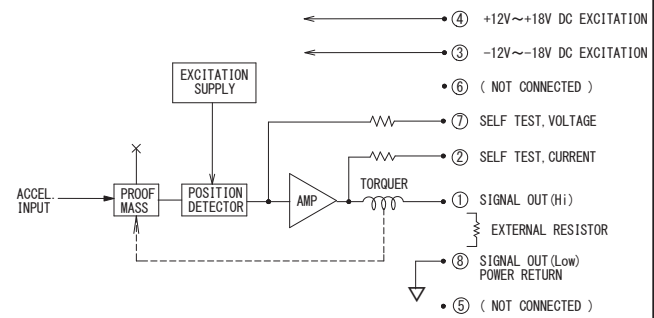
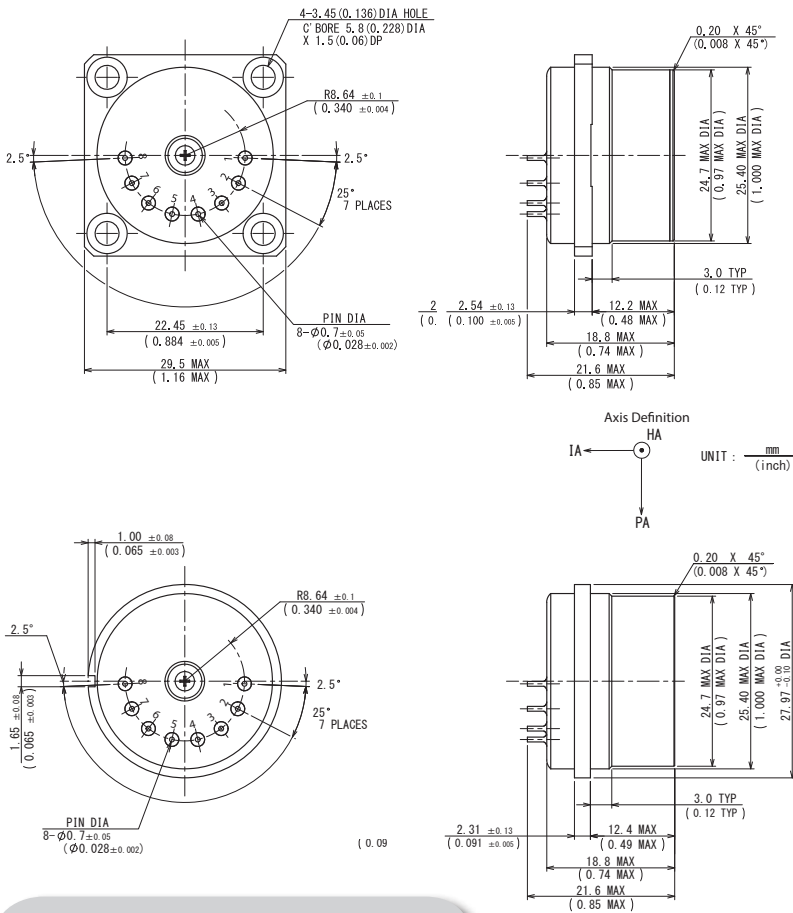
∴ 1G = 9.80665 m/s<sup>2</sup>

Copyright ©2013 JAE Electronics, Inc.

CAT.NO.JA-5 APR 13



# DIMENSIONS



## PIN ASSIGNMENT

This product is designed and manufactured for downhole applications.  
 (Please refer to 7A001/7A101 under Category 7 on the Commerce Control List.)  
 Please do not use for other purposes.

## OUR LOCATIONS

### HEADQUARTERS

**Japan Aviation Electronics Industry, Ltd.**  
 Aerospace Sales Division  
 3-1-19 Aobadai, Meguro-ku  
 Tokyo, 153-8539  
 Japan  
 +81-3-3780-2910 Phone  
 +81-3-3780-2709 Fax

### U.S. HEAD OFFICE

**JAE Electronics, Inc.**  
 142 Technology Drive, Suite 100  
 Irvine, CA 92618-2430 U.S.A.  
 +1-949-753-2600 Phone  
 +1-949-753-4706 Fax  
 +1-800-523-7278 Toll Free  
 Support.Aerospace@jae.com

### U.K. OFFICE

**JAE Europe, Ltd.**  
 200 Fowler Avenue  
 Farnborough Business Park  
 Farnborough, Hampshire GU14 7JP  
 United Kingdom  
 +44(0)1252 551100 Phone  
 +44(0)1252 551110 Fax

### HOUSTON OFFICE

**JAE Electronics, Inc.**  
 10777 Westheimer Road  
 Suite 1100  
 Houston, TX 77042 U.S.A.  
 +1-713-267-9314 Phone  
 +1-713-260-9602 Fax



Technology to Inspire Innovation

For more information visit us at: [www.jae.com](http://www.jae.com)