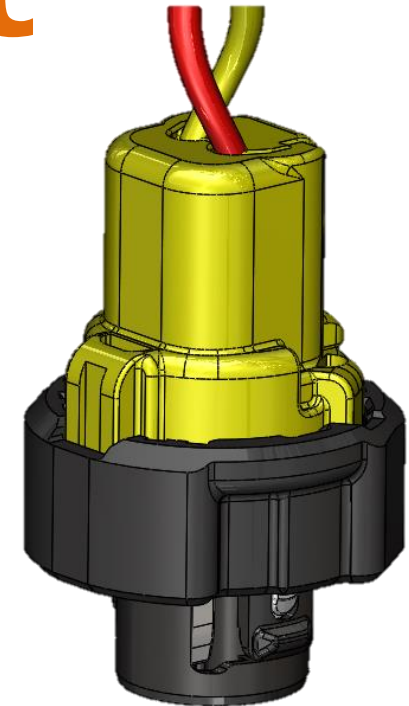
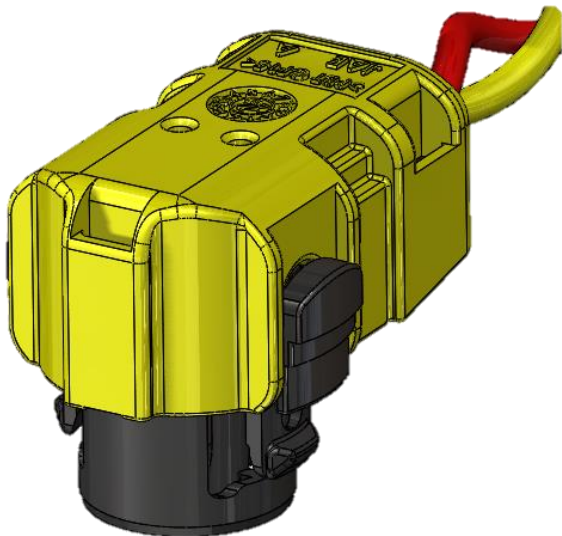


AK2 self-rejecting squib connector development



MX72A、B squib connector (AK2 standard)

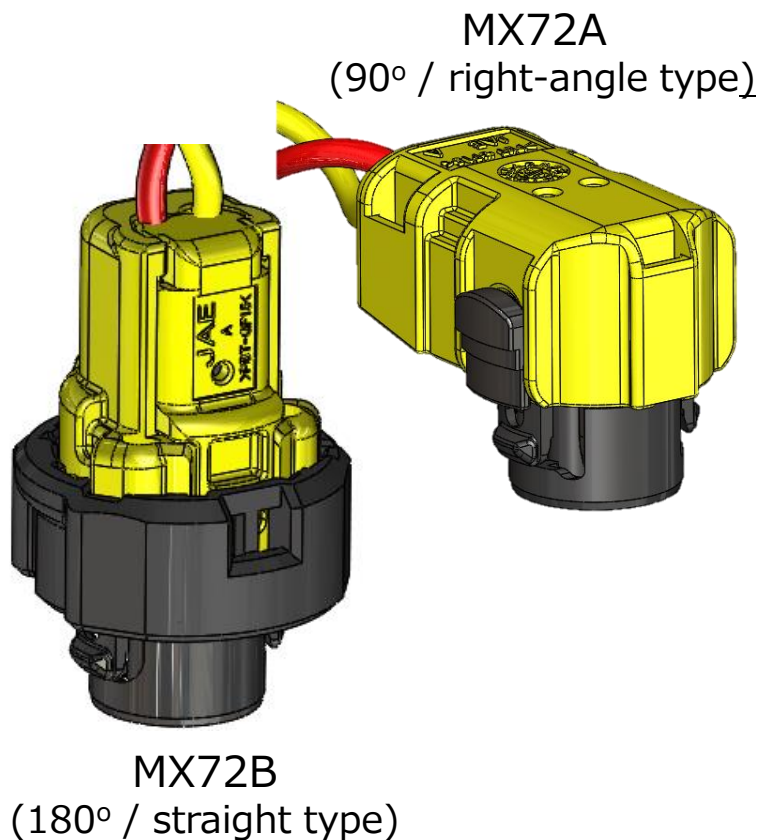
Overview :

Squib connectors for AK2 standard interface.

Self-rejecting type (no chance of partial or mis-mating).

One-step mating process (no separate CPA function).

Positive audible & tactile feedback for connection assurance.



**Application:
SRS / airbag
inflator
(AK2 interface)**

Features :

- Mis-mating eliminated by spring operated self-rejection & locking.
- Serviceable connection (insertion & removal possible)
- Three polarization / key codes & colours
- Reliable / stable three contact point terminals.
- Wire sizes 0.35mm² and 0.5mm² CSA wire.