

MEMS-IMU 『JIMS-80S』

Technology to Inspire Innovation

JAE

JIMS-80S is a compact and light-weight IMU applying the inertial navigation technology JAE has cultivated in aerospace industry.

The JIMS-80S has a compact design that incorporates six axes (three gyro axes and three accelerometers) in one package, suitable measurement for angular velocity, acceleration and attitude angle of industrial equipment / vehicles.

Features

- MEMS-based Gyro and Accelerometer
- Output
(Attitude Angle/Angular Velocity/Acceleration)
- High rate output of 100 Hz
- Compact/Light-weight
- IP67 Waterproof Dustproof
- Ruggedized



54(W)x110(D)x29(H)mm

Applications



Construction Machine
(i-Construction)



Agriculture Machine
(Smart Agriculture)



Drone

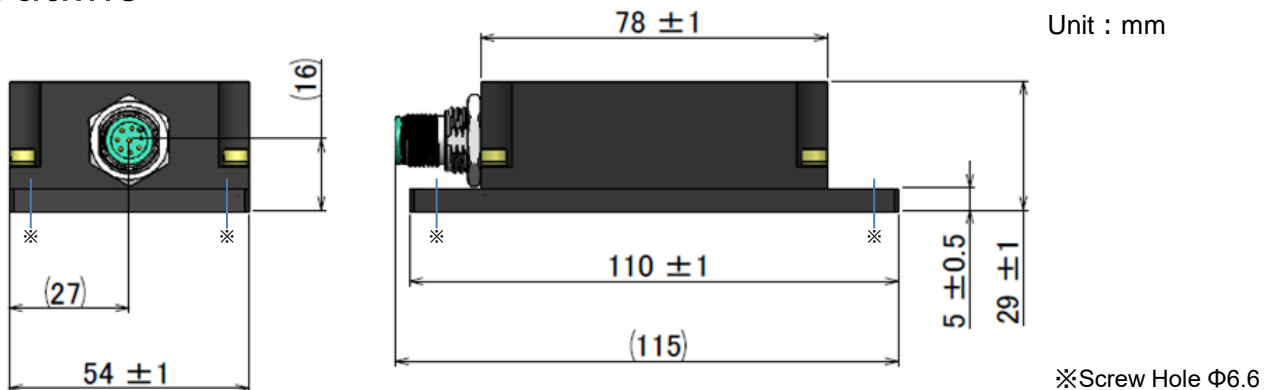
Japan Aviation Electronics Industry, Ltd.

MEMS-IMU 『JIMS-80S』

■ Specification

Mechanical	Dimension	54(W)x110(D)x29(H) mm
	Weight	220 grams Max
Environmental	Operating Temperature	-40 to +80°C
	Shock	500G@1ms
Electrical	Power Supply Voltage	+9V~+32V
	Power Consumption	1.0W
Interface	Transmission Method	CAN, RS232C
	Update Rate	100Hz
	Output Data	Angular Velocity (3 Axes) , Acceleration (3 Axes) Roll, Pitch Yaw (RS232C only)
Performance	Angular Velocity	±300°/S
	Acceleration	±8G
	Pitch Accuracy	0.1°rms
	Roll Accuracy	0.1°rms

■ Outline



■ Contact Information

North and South America

JAE Electronics, Inc.
1100 W. Park One Drive
Sugar Land
TX 77478
United States

T: +1 281 325 5760
E: support.aerospace@jae.com

Europe

JAE Europe, Ltd.
Royal Pavilion, Tower 3, First
Floor, Wellesley Road, Aldershot,
Hampshire, GU11 1PZ,
UK

T: +44 1252 55 11 00
E: support.aerospace@jae.co.uk

Japan and Rest of World

Japan Aviation Electronics
Industry, Ltd.
1-19, Aobadai 3-chome
Meguro-ku
Tokyo 153-8539
Japan

T: +81 3 3780 2925
E: aerinfo@jae.co.jp

IMU must only be exported in accordance with all relevant regulations.
JAE reserves the right to modify specifications without prior notice.